

1 2 3 4 5 6

A

A

B

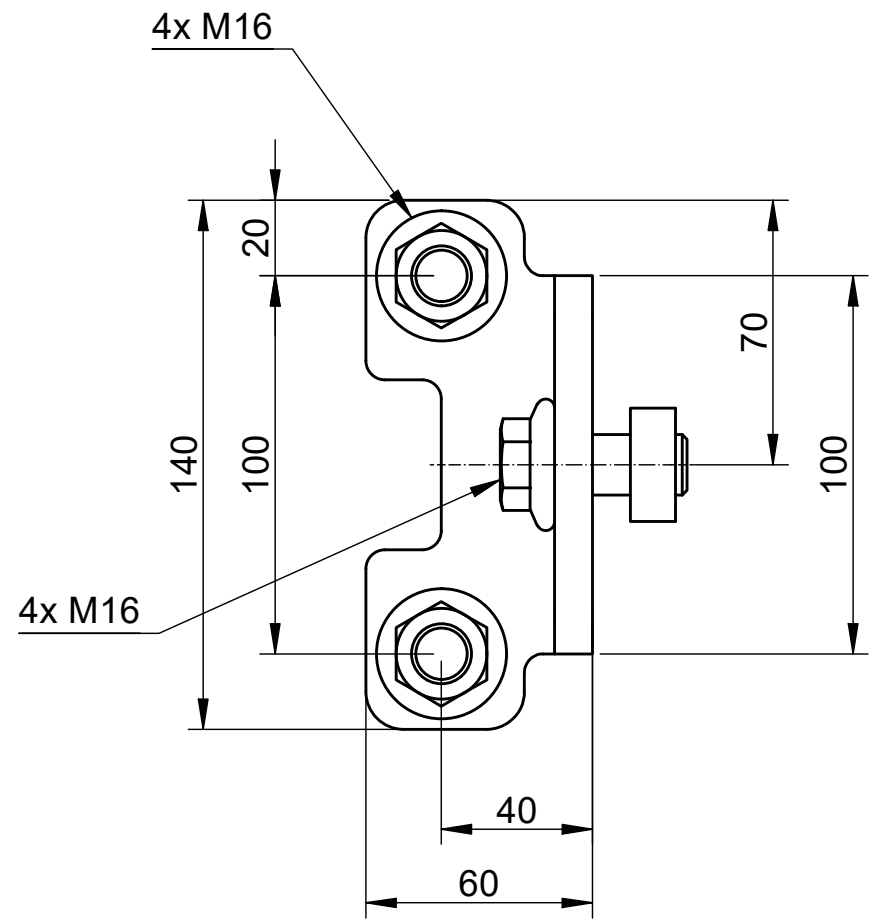
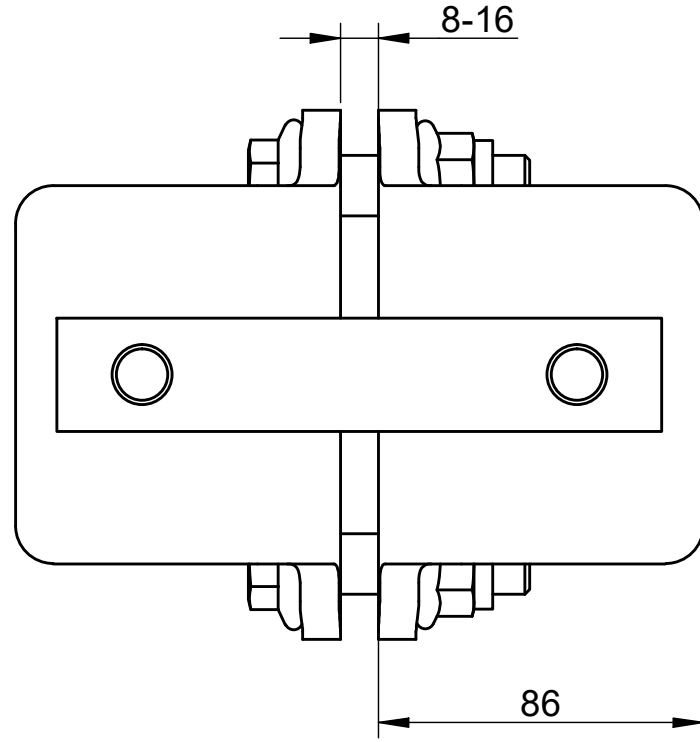
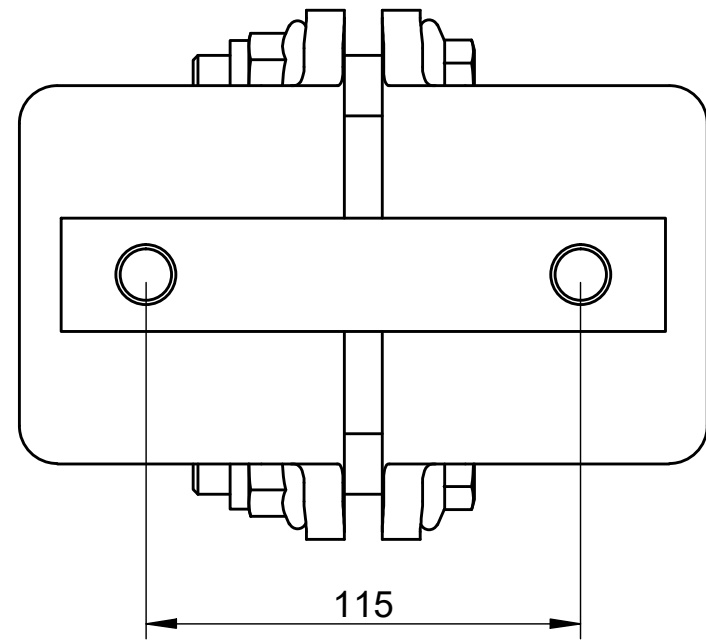
B

C

C

D

D



**2** Weight 6 kg

**1** Dimensions for information only. Do not scale.

<b>VBG GROUP</b>		Modified Date	Modified by	Modification No.	Issue
		2020-11-03	JE	13234	b
Description Mounting kit RUP		3D Model No. 15990433			Engineer
					JE
Sheet Size	Scale	Projection	Drafting Date	Drafted by	
A3	1 : 2		2019-05-20	JE	
Stage	Drawing No.				
P	15990433 (F) INFO				
This drawing is the property of VBG Group AB and is protected in accordance with prevailing law. Changes must be made in CAD-program, this concerns both 2D & 3D.					

1 2 3 4 5 6